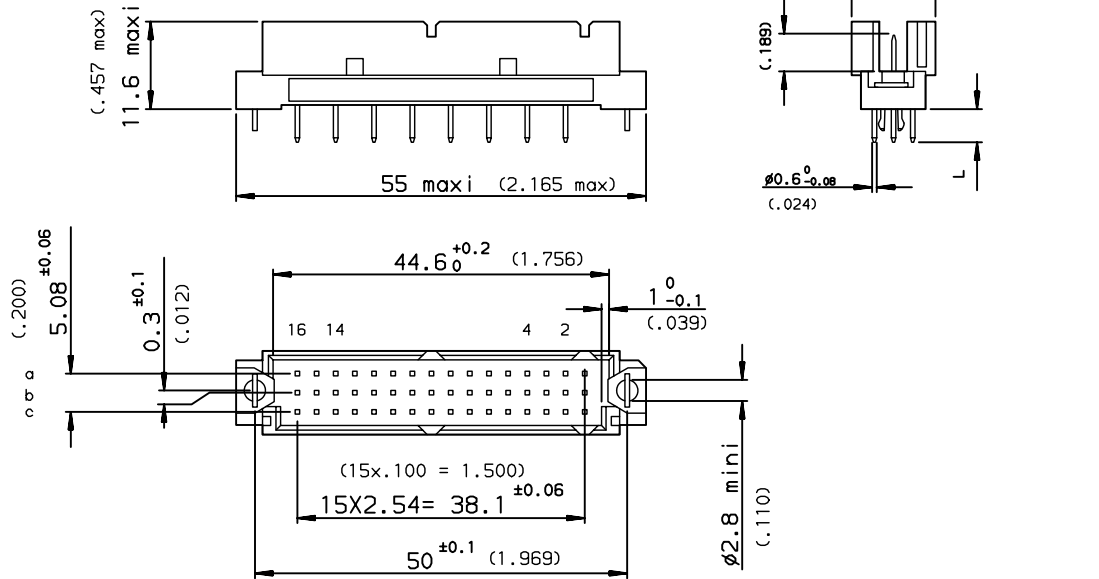


DIMENSIONS mm (inches)



ELECTRICAL DATA

-Current at AMB.	1.5 A at 20° C / 1 A at 70° C
-I max	2A
-Contact resistance	≤20mΩ according to DIN 41640 Teil 4 test 2a
-Insulation resistance	>10 ⁶ MΩ according to DIN 41640 teil 7 test 3a
-TEST VOLTAGE	according to DIN 41640 teil 1
contact/contact	1000V eff (0.5 mA / 50 Hz)
contact/ground	1550V eff (0.5 mA / 50 Hz)

MECHANICAL DATA

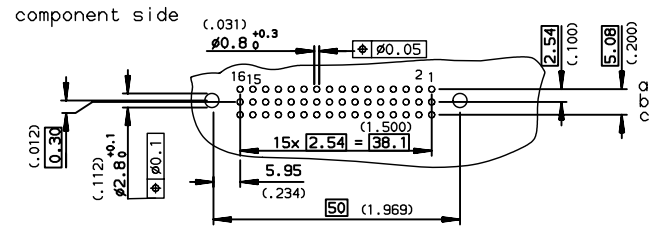
-Retention force	≥20N (4.5 lb) per contact
-Insertion force	24 Cts : ≤23N (5.2 lb) / 16 Cts : ≤15N (3.4 lb)
-Withdrawal force	24 Cts : ≥3.5N (0.8 lb) / 16 Cts : ≥2.5N (0.56 lb)
-Mechanical endurance	class 1 500 matings unmatings according to DIN41640 teil 21
	class 2 400
	class 3 50
-Material insulator	Polyester thermoplastic UL94V0
-Material contacts	Brass
-Finishing contact surface	Gold over Nickel
-Finishing termination	Tin Lead
-Material and plating harpoon	Phosphor bronze - Tin Lead
-Solderability	according to DIN 41640 teil 70 test 12a
-Shock	≤40ma according to DIN 41640 Teil 14 test 6c
-Vibration	class 1 10-2000Hz/20g according to DIN 41640 Teil 15
	class 2 10-500Hz/5g

ENVIRONMENTAL DATA

-Climatic category	According to DIN 41612
-Corrosion	According to DIN 41612

PCB DRILLING

PERFORMANCES AS PER DIN 41612



PART NUMBER	8609			76				8	000	E1
PIN OUT										
rows a-b-c									3	24
rows a-c									4	16
NUMBER OF CONTACTS										
TERMINATION										
L = 2.70 ±0.25 (.106)										24
L = 4.65 ±0.25 (.183)										14
OPTIONS										
no option										7
with harpoons										H
										A
										R
PERFORMANCE CLASS										
DIN 41612 class 3										4
DIN 41612 class 2										
DIN 41612 class 1										

rev	ecn no	dr	date
A	-	HLE	1997/10/28
B	LS07-0130	HLE	2007/05/22
-	-	-	-
-	-	-	-
-	-	-	-
-	-	-	-

www.fciconnect.com		surface	tolerance std	projection	mm
		ISO 1302	ISO 406 ISO 1101		
TOLERANCES UNLESS OTHERWISE SPECIFIED					
Dr	LEGALLIC	1997/10/28	ANGULAR	LINEAR	size A3
Eng	LEGALLIC	1997/10/28	0.X	±0.1	Scale 1.5
Chr	LEGARE	1997/10/28	0.XX	±0.1	ECN LS07-0130
Appr	LEGARE	1997/10/28	0.XXX	±0.1	Spec ref -
		Title STRAIGHT MALE STYLE R/2		dwg no	Rev.
		SOLDER TO BOARD		C-8609-0648	B
catalog no				CUSTOMER	sheet 1 of 1

Copyright FCj.